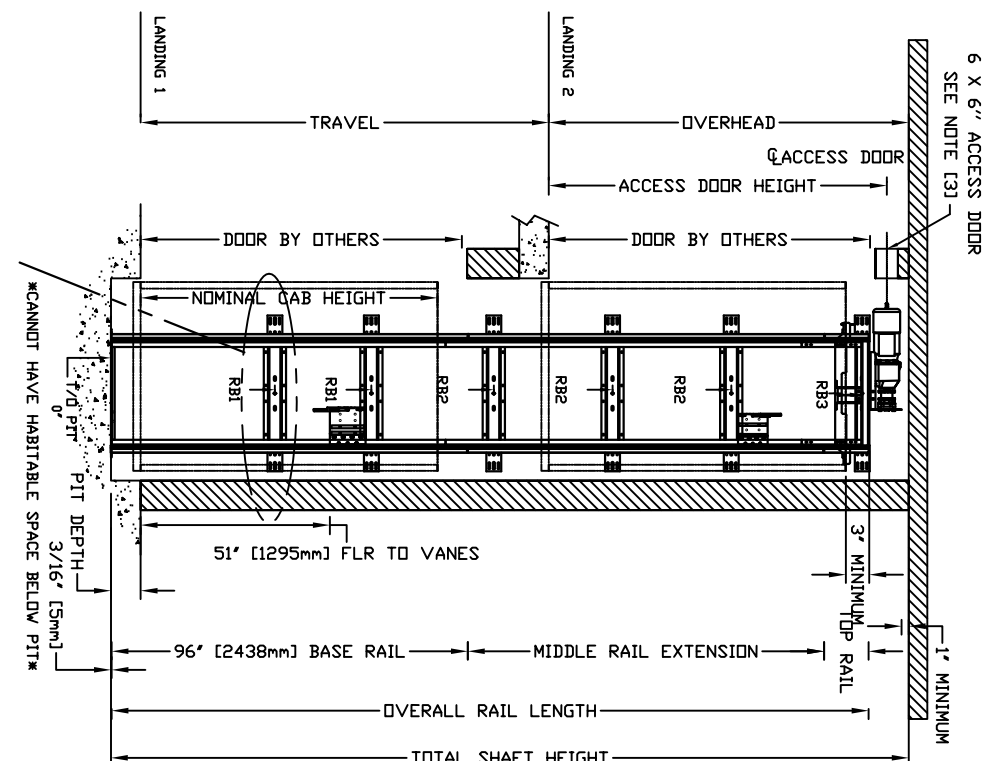
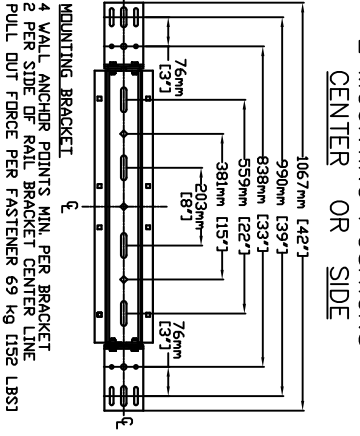


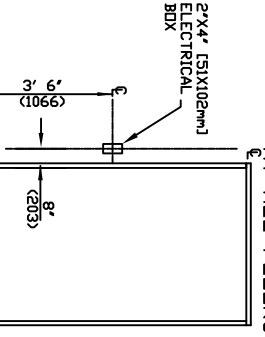
SECTIONAL VIEW - ECLIPSE Model 36X60 TYPE 1L



FINAL RAIL BRACKET	R33	BELOW THE MOTOR CONCORD REPRESENTATIVE LOCATION
INTERMEDIATE RAIL BRACKET	R22	32" [813mm] INTERVALS AFTER 2nd BOTTOM BRACKET
BOTTOM RAIL BRACKET	R11	44" [1118mm] & 71" [1804mm] ABOVE PIT

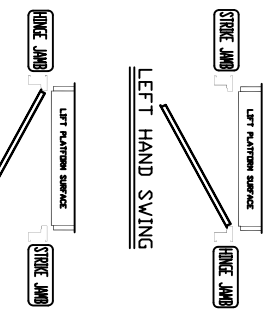


HALL BUTTON NEEDED AT ALL FLOORS

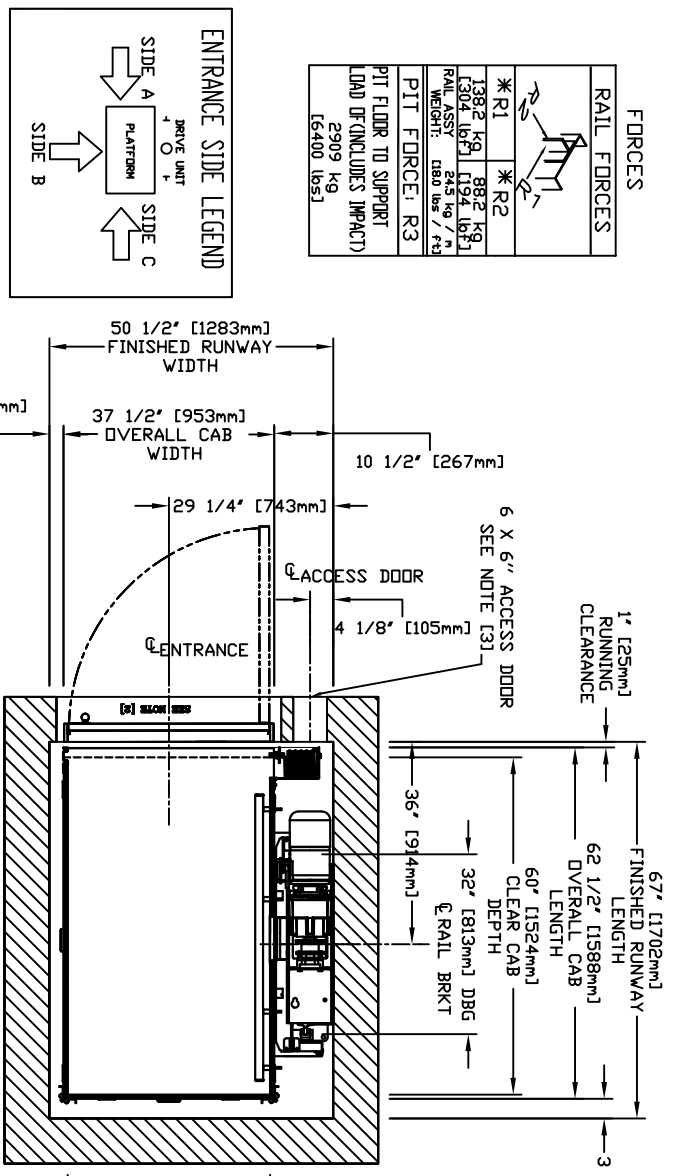


LEFT HAND SHOWN  
RIGHT HAND OPPOSITE

DOOR SWING

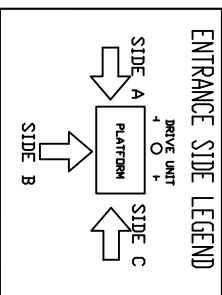


PLAN VIEW - ECLIPSE Model 36X60 TYPE 1L



FORCES

* R1	* R2
1382 LB	882 KG
1304 LB	1194 LB
RAIL ASSY	245 LB / 110 KG
WEIGHT:	080 LB / 36 KG
PIT FORCE: R3	
PIT FLOOR TO SUPPORT LOAD (INCLUDES IMPACT)	
	2909 KG
	(6400 LBS)



CHARACTERISTICS

GENERAL

APPLIED CODE: \_\_\_\_\_  
 CAPACITY: \_\_\_\_\_ (750, 1000 LBS)  
 NOMINAL SPEED: \_\_\_\_\_ 40 FPM  
 TRAVEL: \_\_\_\_\_ (MIN. 6')  
 PIT DEPTH: \_\_\_\_\_  
 CAR DETAILS  
 CAB PANEL SELECTION: \_\_\_\_\_ (SEE CHART)  
 CEILING SELECTION: \_\_\_\_\_ (WITH/MATCH)  
 CAB FLOORING: \_\_\_\_\_ (PLY, FINISH)  
 FINISHED FLOOR THICKNESS: \_\_\_\_\_ (1/8 TO 3/4")  
 CAB HEIGHT: \_\_\_\_\_ (80, 96")  
 CAB OPERATION: \_\_\_\_\_ (AUTD)  
 GATE TYPE: \_\_\_\_\_ (V/FOLD, C/FOLD, P/FOLD CLR, P/FOLD BRZ, BLK SCZR)

DRIVE UNIT

DRIVE ASSEMBLY MFR: \_\_\_\_\_ CONCORD  
 MOTOR: \_\_\_\_\_ 20 HP/1660 RPM V/Broke  
 GEAR MODEL: \_\_\_\_\_ 42:1:1 Ratio Gear Box  
 MOTOR CONTROLLER: \_\_\_\_\_ Pre-programmed V/F Drive  
 SUSPENSION  
 TYPE: \_\_\_\_\_ DUAL #60 ROLLER CHAIN  
 CONSTRUCTION: \_\_\_\_\_ ANSI B29.1  
 NOMINAL STRENGTH: \_\_\_\_\_ 9020 LBS PER CHAIN  
 ELECTRICAL  
 POWER SUPPLY: \_\_\_\_\_ 60 Hz/1 Phase/230 volt

PROVISIONS BY OTHERS

- \*HOISTWAY CONSTRUCTION SITE CLEARANCE
- HOISTWAY CONSTRUCTION AND PIT BY OTHERS. DUE TO LIMITED SPACE WITHIN THE HOISTWAY IT IS ESSENTIAL THAT THE PIT IS LEVEL AND VALTS ARE SQUARE AND PLUMB THROUGHOUT THE HOISTWAY. THE HOISTWAY FRAMING MUST BE WITHIN 1/2" OF PLUMB AND SQUARE FROM TOP TO BOTTOM FOR PROPER OPERATION OF THE ELEVATOR THROUGHOUT THE HOISTWAY.
  - CLEARANCES FROM DOOR SILL TO HOISTWAY DOOR TO BE 76 mm [3"] MAXIMUM AND ELEVATOR CAR DOOR TO HOISTWAY DOOR TO BE 127 mm [5"] MAXIMUM TO COMPLY WITH CSA B44 (ASME ANSI A17.1) CONSULT YOUR LOCAL INSPECTION AUTHORITIES FOR CODES WHICH MAY TAKE PRECEDENCE.
  - HOISTWAY MUST HAVE A MINIMUM 152 mm x 152 mm (6" x 6") LOCKABLE ACCESS HATCH PROVIDED BY SAVARIA CONCORD LOCATED AT THE TOP OF THE HOISTWAY. LOCATION MUST BE IN AN AREA WHICH WILL PROVIDE ACCESS TO THE ELEVATOR DRIVE ASSEMBLY BY THE MANUAL LOWERING HANDLE. MANUAL LOWERING HANDLE WILL ENABLE USER TO OVERPOWER BRAKE AND LOWER CAR WITHOUT BOBBLY ENTRY TO THE SHAFTWAY.
  - THE PIT FLOOR SHALL BE CONSTRUCTED TO WITHSTAND AN IMPACT LOAD OF 2903 KG [6400 LBS]. REF. CSA B44 SECTION 2.11 (ASME/ANSI A17.1 SECTION 106.5)
  - HOISTWAY TO BE FREE OF ALL PIPES, WIRING AND OBSTRUCTIONS NOT RELATED TO THE OPERATION OF THE ELEVATOR.
  - FOR COMPLYING WITH LOCAL CODES.
  - HOISTWAY CONSTRUCTION REQUIREMENTS MAY VARY FROM REGION TO REGION. DIMENSIONS GIVEN ARE MANUFACTURERS RECOMMENDED CLEARANCES. THEY REFLECT RUNNING AND ACCESS CLEARANCES. CONSULT YOUR LOCAL AUTHORITY TO ASSURE COMPLIANCE WITH PROVINCE AND LOCAL CODES.

DIMENSIONS WARNING

CONTRACTOR/CUSTOMER TO VERIFY ALL DIMENSIONS AND REPORT ANY DISCREPANCIES TO OUR OFFICE IMMEDIATELY.

STRUCTURAL

- A LOAD BEARING WALL IS REQUIRED TO SUSTAIN RAIL REACTIONS AS SPECIFIED IN KEY TO RAIL REACTIONS ON DRAWING. BUILDING CONTRACTOR TO CONTACT STRUCTURAL ENGINEER TO DETERMINE IF SUPPORTING WALL WILL SUSTAIN RAIL REACTIONS. FOR COMPLYING WITH LOCAL CODES.
- SUITABLE LINTELS MUST BE PROVIDED BY DWNER/AGENT.
- DOOR FRAMES ARE NOT DESIGNED TO SUPPORT OVERHEAD WALL LOADS.
- ALL FULL HEIGHT DOORS MUST BE ALIGNED WITH THE DOOR CENTERLINE SHOWN ON PLAN DETAIL. RECOMMEND INSTALLING A SOLID CORE 2032 mm [6'-8 1/2"] HIGH DOOR WITH A MINIMUM CLEAR OPENING OF 813 mm [2'-8 1/2"] WIDE.
- DOOR HANDLE AND LATCH SET REQUIRED FOR ALL FULL SIZE DOORS.
- SEE INSTALLATION MANUAL FOR DETAILS ON THE INTERLOCKS. INTERLOCKS ARE REQUIRED FOR ALL FULL SIZE DOORS.

ELECTRICAL

- THE ELEVATOR CONTROLLER IS PROVIDED BY SAVARIA CONCORD AND IS EITHER 16-71" DEEP. THE CONTROLLER IS PROVIDED BY SAVARIA CONCORD AND IS EITHER A) ATTACHED TO THE RAIL WALL INSIDE THE HOISTWAY BETWEEN THE 7" RAILS WITH ACCESS EITHER UNDER THE CAB OR THROUGH THE CAB OF THE ELEVATOR OR B) IN A REMOTE LOCATION EXTERNAL TO HOISTWAY, THAT NEEDS PROPER STRUCTURAL WALL TO SUPPORT THE CONTROLLER ON ALL 4 CORNERS HOLES POSITION ARE = 597 mm [23.5"] WIDE BY 546 mm [21.5"] HIGH.
- ARRANGE FOR A POWER SUPPLY WITHIN SIGHT OR NEXT TO THE ELEVATOR CONTROLLER PRIOR TO DELIVERY OF THE UNIT(BOTH 115 VOLT AND 208/240 VOLT). THE 208/240 VOLT CIRCUIT SHALL ORIGINATE FROM A LOCKABLE 2 POLE FUSED DISCONNECT (20 AMP RK 5 RATED) LOCATED NEAR THE RESIDENCES INCOMING ELECTRICAL PANEL. THE ELECTRICAL CIRCUIT PROVIDED FOR THE CONTROLLER SHALL BE 208/240 VOLT, SINGLE PHASE, DEICATED CIRCUIT WITH NEUTRAL AND GROUND. FUSING MUST BE SELECTIVELY COORDINATED. FUSE 208/240 VOLT FOR 20 AMP SERVICE. FUSE 115 VOLT FOR 15 AMP SERVICE FOR CAR LIGHT. A LOCKABLE AUXILIARY 240 VOLT AND 115 VOLT DISCONNECT IS REQUIRED INSIDE THE HOISTWAY OR IN SIGHT OF THE CONTROLLER. ALL ELECTRICAL TO DISCONNECTS SHALL BE PROVIDED AND INSTALLED BY OTHERS (MUST COMPLY WITH APPLICABLE CODES).
- FIELD ELECTRICAL WIRING AND CONNECTIONS TO HALL-CALLS, PIT SWITCH AND INTERLOCKS ARE PROVIDED.
- THE ILLUMINATION SHALL BE NOT LESS THAN 200 LUX [9 FC] AT THE FLOOR LEVEL IN ALL MACHINE ROOMS AND MACHINERY SPACES. THE SWITCH FOR THE LIGHT MUST BE WITHIN 457 mm [18"] OF THE HOISTWAY ACCESS. THE LIGHT MUST BE GUARDED, LIGHT, PREVENT ACCIDENTAL BREAKAGE OR CONTACT WITH THE HOT BULB. THE SWITCH, LIGHT, AND GUARD ARE PROVIDED AND INSTALLED BY OTHERS. (MUST COMPLY WITH APPLICABLE CODES).
- IF A TELEPHONE CIRCUIT IS REQUIRED (OPTION FOR ELEVATOR) JACK IS PROVIDED AND INSTALLED BY OTHERS. THIS CIRCUIT SHALL BE BROUGHT TO A LOCATION NEXT TO THE CONTROLLER AND BE AVAILABLE TO CONNECT AND TEST UPON ELEVATOR INSTALLATION.
- WHEN CONTROLLER EXTERNAL
- LOCATION / ACCESS - "CONTROLLER ROOM" LOCATED AT THE LOWEST LEVEL ADJACENT TO HOISTWAY, UNLESS SHOWN OTHERWISE ON THE LAYOUT DRAWINGS. FIELD ADJUSTMENT BY INSTALLER MAY BE NECESSARY TO MEET JOB SITE CONDITIONS OR REGULATIONS. ACCESS TO CONTROLLER ROOM TO BE THROUGH A SELF CLOSING LOCKABLE DOOR WHERE CODE CONSIDER IT AS A MACHINE ROOM.
- WHEN APPLICABLE SLEEVES FOR ELECTRIC LINES -
- FROM CONTROLLER ROOM TO RUNWAY AS REQUIRED.
- POSITION PER INSTALLERS INSTRUCTIONS.

CODE

- ALTHOUGH THE ELEVATOR IS DESIGNED TO MEET CSA B44 (ANSI A17.1), LOCAL CODES MAY VARY. DEALER IS RESPONSIBLE FOR COMPLYING WITH LOCAL CODES.
- NOTE A
- ALL COMPONENTS WEIGHTS CAN BE FOUND IN THE PLANNING GUIDE
- NOTE B
- ALL INFORMATION IS SUBJECT TO CHANGE.
- PLEASE REFERENCE OUR ON-LINE DRAWINGS AT [www.savariaconcord.com](http://www.savariaconcord.com) FOR THE MOST RECENT UPDATES

RESIDENTIAL ELEVATOR

ECLIPSE MODEL 36X60 TYPE 1L

CUSTOMER:	DATE:
PROJECT:	REVISION DATE:
LOCATION:	COMPLETED BY:

SAVARIA CONCORD  
Your Accessibility Partners

SHEET # 1/1